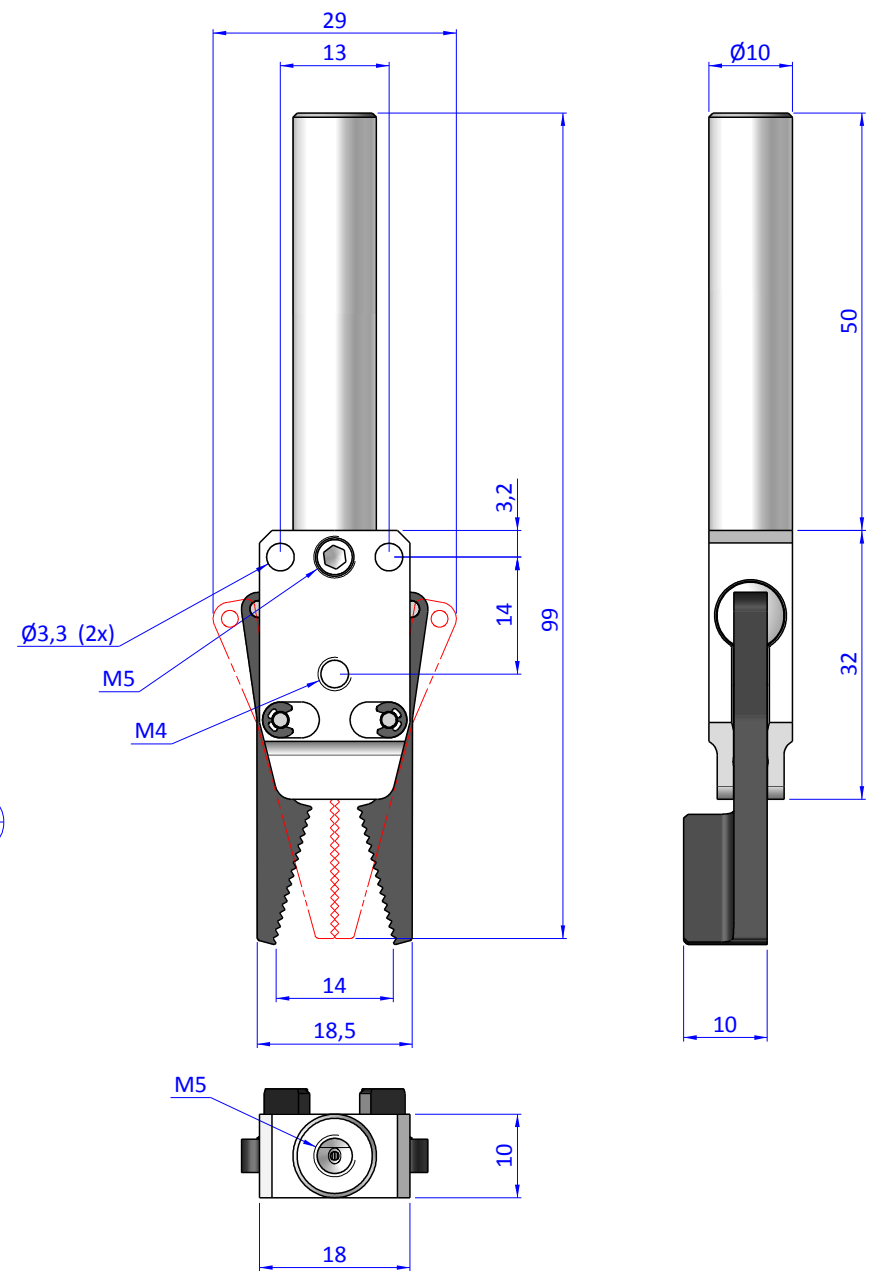
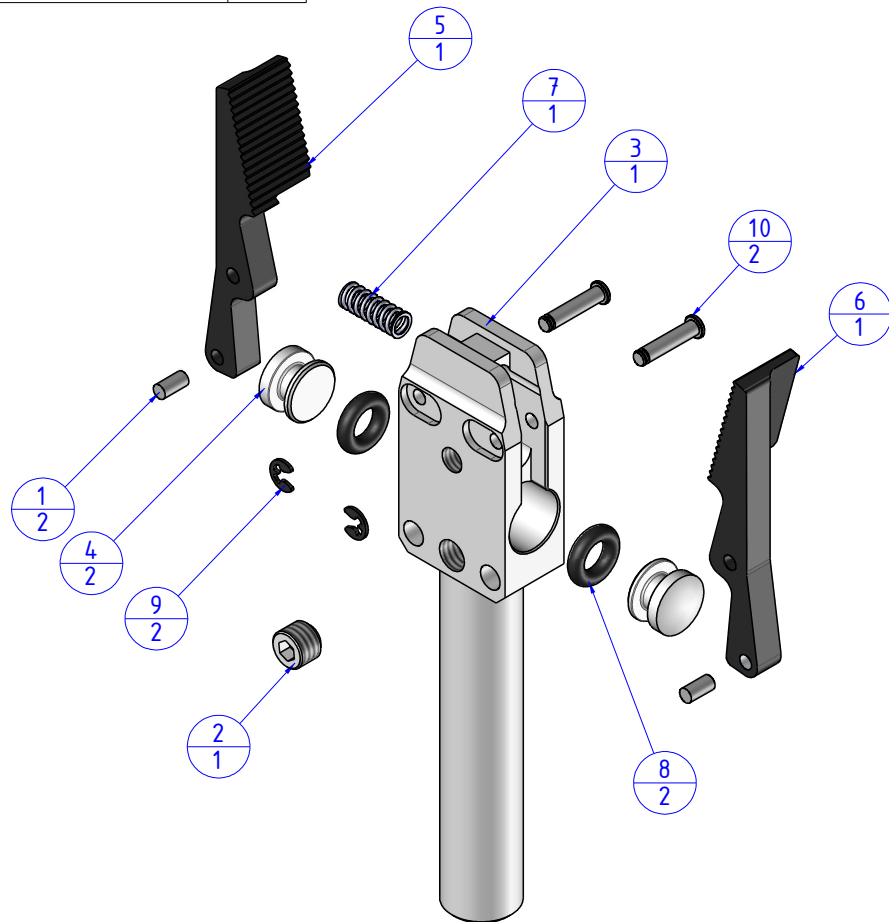



THE PROPERTY OF THE DRAWING IS ESTABLISHED BY LAW. IT IS FORBIDDEN TO PRODUCE OR SHOW IT TO THIRD PARTY, WITHOUT A WRITTEN AGREEMENT.

Item	Name	Q.ty
1	GZA.10.08.9	2
2	GR.5X4	1
3	GZA.10.08.1.50	1
4	GZA.10.08.2	2
5	GZA.10.08.3.AHD	1
6	GZA.10.08.3.AHS	1
7	M.MP13X3.5D.5	1
8	ORM.4x2	2
9	A.ELA.RA1.5	2
10	SP.2x10SS	2



Format A3  
UNI 936-76

 FPS SERVICES AUTOMATION		DESIGNED FROM		REVIEW
		FPS Automation		A
GENERAL TOLERANCE		DATE	WEIGHT	
UNI - ISO 2768		21/03/2019	0,023kg	
CLASSE f		CODE		
		CA.GZA.10.08.M50		CA.GZA.10.08.M50